

Safety Instructions

- 1 Never insert anything metallic into the cabinet openings of the LCD display. Doing so may create the danger of electric shock.
- 2 To avoid electric shock, never touch the inside of the display. Only a qualified technician should open the case of the display
- 3 Never use your display if the power cord has been damaged. Do not allow anything to rest on the power cord, and keep the cord away from areas where people can trip over it.
- 4 Be sure to hold the plug, not the cord, when disconnecting the display from an electric socket.
- 5 Openings in the display cabinet are provided for ventilation. To prevent overheating, these opening should not be blocked or covered. Also, avoid using the display on a bed, sofa, rug, or other soft surface. Doing so may block the ventilation openings in the bottom of the cabinet. If you put the display in a bookcase or some other enclosed space, be sure to provide adequate ventilation.
- 6 Put your LCD display in a location with low humidity and a minimum of dust.
- 7 Do not expose the display to rain or use it near water (in kitchens, near swimming pools etc). If the display accidentally gets wet, unplug it and contact an authorized dealer immediately. You can clean the LCD display with a damp cloth when necessary, but be sure to unplug the display first.

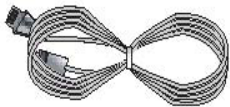


- 8 Place the display on a solid surface and treat it carefully. The screen is made of thin glass with a plastic front surface and can be damaged if dropped, hit or scratched. Do not clean the front panel with keton-type materials (e.g., acetone), ethyl alcohol, toluene, ethyl acid, methyl, or chloride. These may damage the panel.
- 9 Locate your LCD display near an easily accessible AC outlet.
- 10 If your display does not operate normally – in particular, if there are any unusual sounds or smells coming from it – unplug it immediately and contact an authorized dealer or service center.
- 11 High temperature can cause problems. Don't use your display in direct sunlight, and keep it away from heaters, stoves, fireplaces, and other sources of heat.
- 12 Unplug the LCD display when it is going to be left unused for an extended period of time.

Unpacking of Display

- Keep the package for future use after unpacking the display

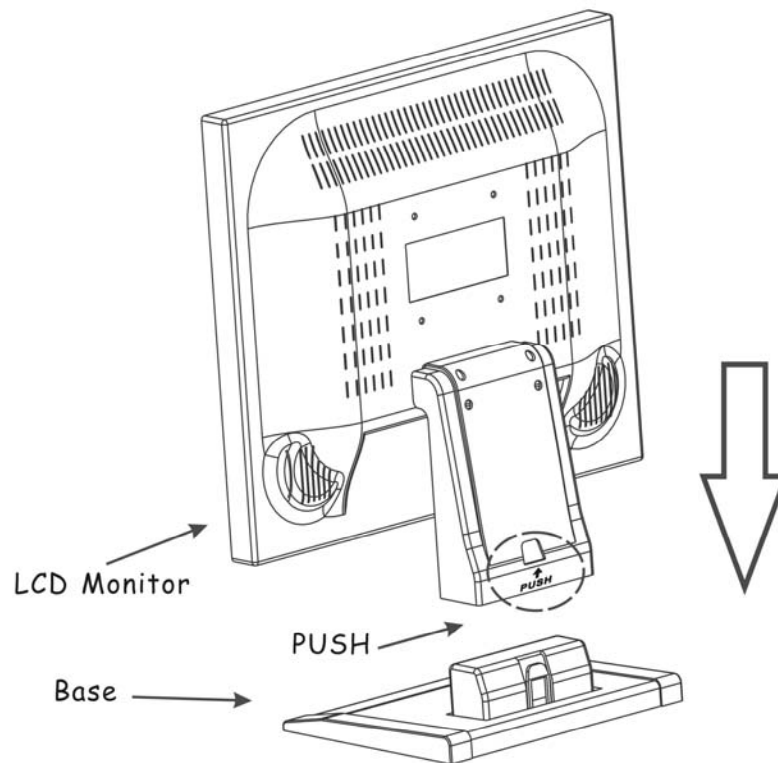


The following equipment is included with the product:

<input type="checkbox"/>	Power Cord	
<input type="checkbox"/>	15 pin D-SUB Signal Cable	
<input type="checkbox"/>	User Manual (English)	

Note: Fit the power cord and the 15 pin D-SUB Signal Cable into the back of your monitor and connect to the back of your PC.

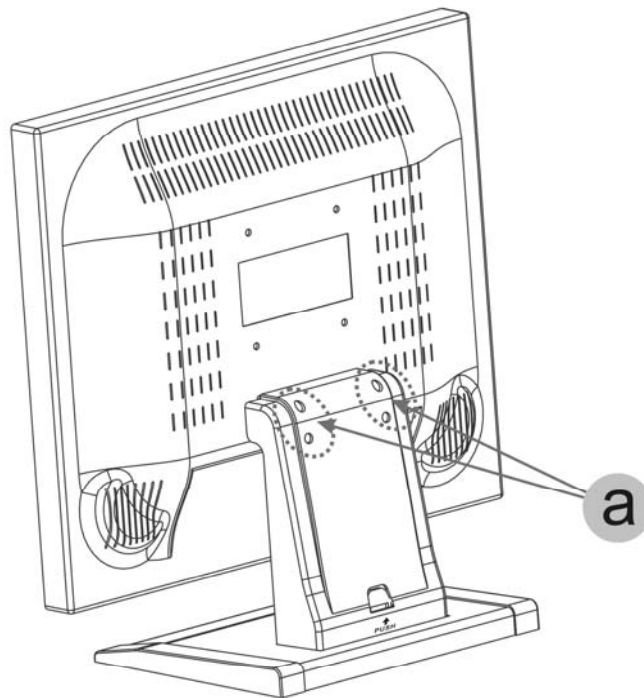
Setup & Unload of Base



1. Base setup	Attach the monitor to the base stand by pushing it down onto the elevated section (see image).
2. Base unload	Detach the monitor from the base stand by pushing the PUSH button and simultaneously removing the monitor carefully from the base stand (see image).

Installing VESA Compliant Mounting

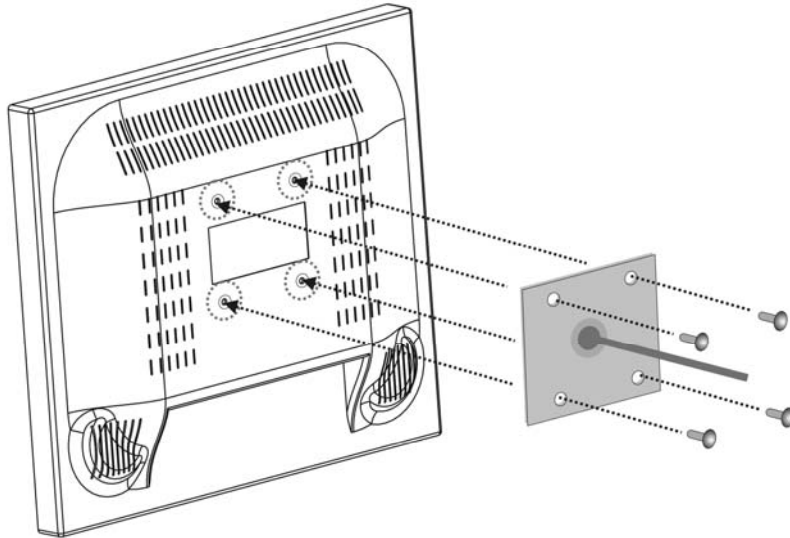
Removing the base



1. Switch off your monitor and unplug its power cord.
2. Lay the LCD monitor face-down on a flat surface with a cushion beneath it to protect the screen
3. Remove the four screws and remove the base from the LCD monitor.

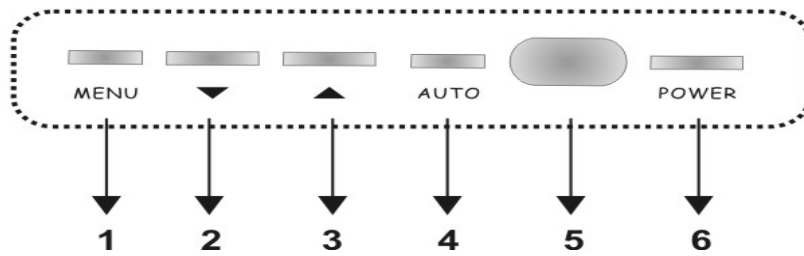
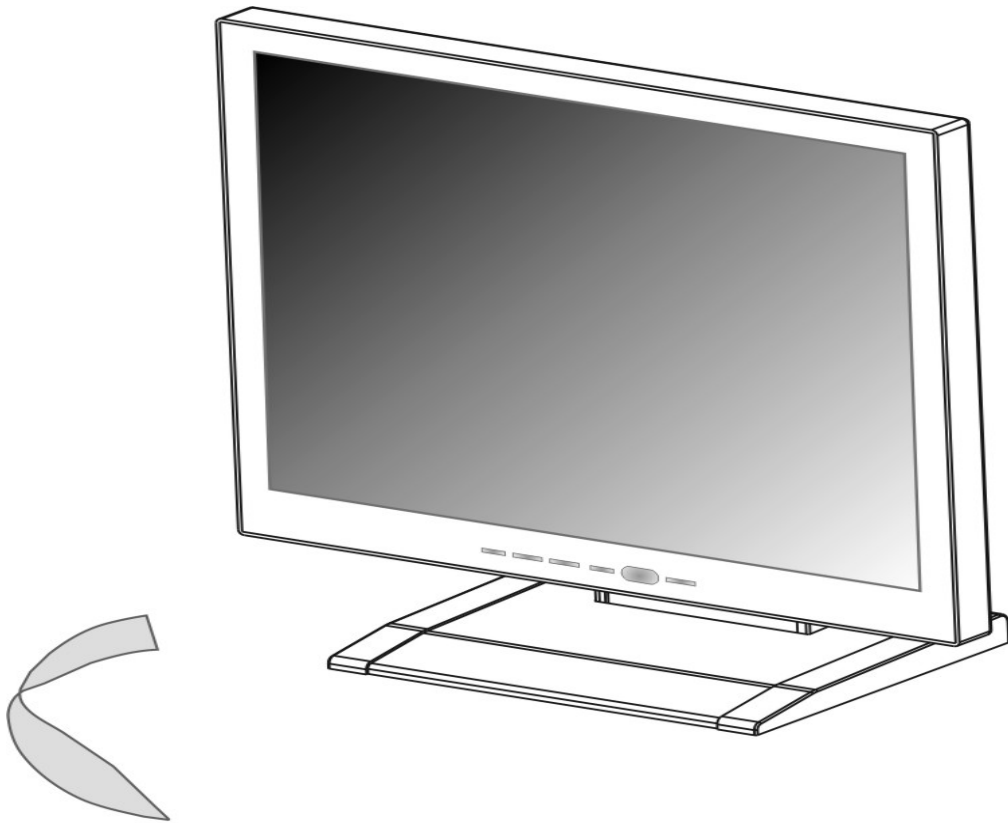
Installing VESA Compliant Mounting

Attaching the base



1. Screw the mounting bracket onto the back of the monitor.
2. Attach the LCD monitor to the wall by following the instructions in the wall-mounting kit.

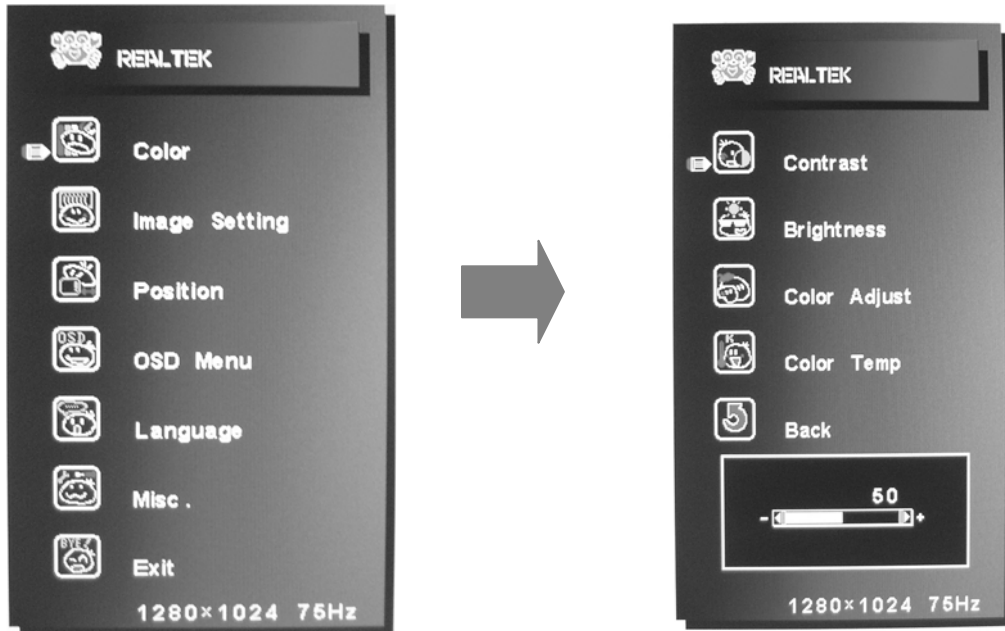
Function Keys



Keys	Functions
1. MENU	<ol style="list-style-type: none"> 1. OPEN the OSD Menu 2. SELECT the OPTIONS within the OSD Menu 3. RETURN to the MENU after adjusting the screen setting
2. ▾	<ol style="list-style-type: none"> 1. Select the PREVIOUS ITEM in the menu 2. DECREASE the LEVEL of adjustment
3. △	<ol style="list-style-type: none"> 1. Select the NEXT ITEM in the menu 2. INCREASE the LEVEL of adjustment
4. AUTO	<ol style="list-style-type: none"> 1. QUICK EXIT from the main menu. 2. AUTO CALIBRATE the screen (with the OSD Menu closed)
5. LED Light	<ol style="list-style-type: none"> 1. GREEN LIGHT indicates power is ON.
6. POWER	<ol style="list-style-type: none"> 1. SWITCH the monitor ON/OFF

OSD Controls

1. Color Menu:



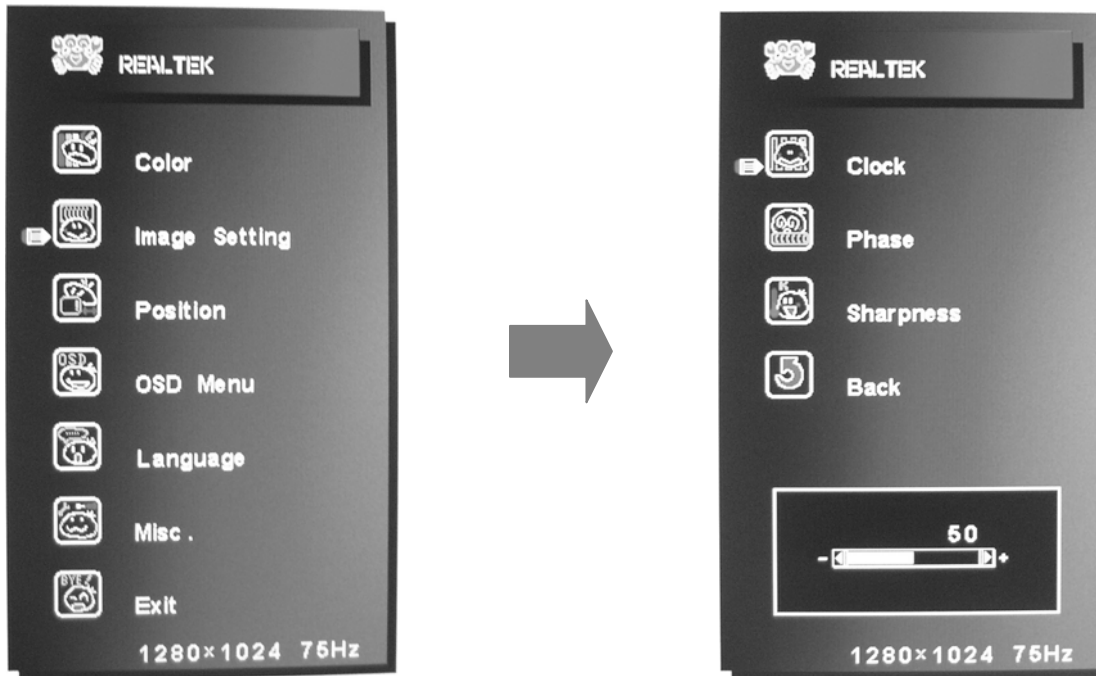
➤ Contrast	Adjust the level of contrast
➤ Brightness	Adjust the level of brightness
➤ Color adjust	Manual adjustment of the color temperature*
➤ Color Temp	Select a color temperature**
➤ Back	Return to the Main Menu

* Select a color temperature manually after setting the Color Temp option to USER

**

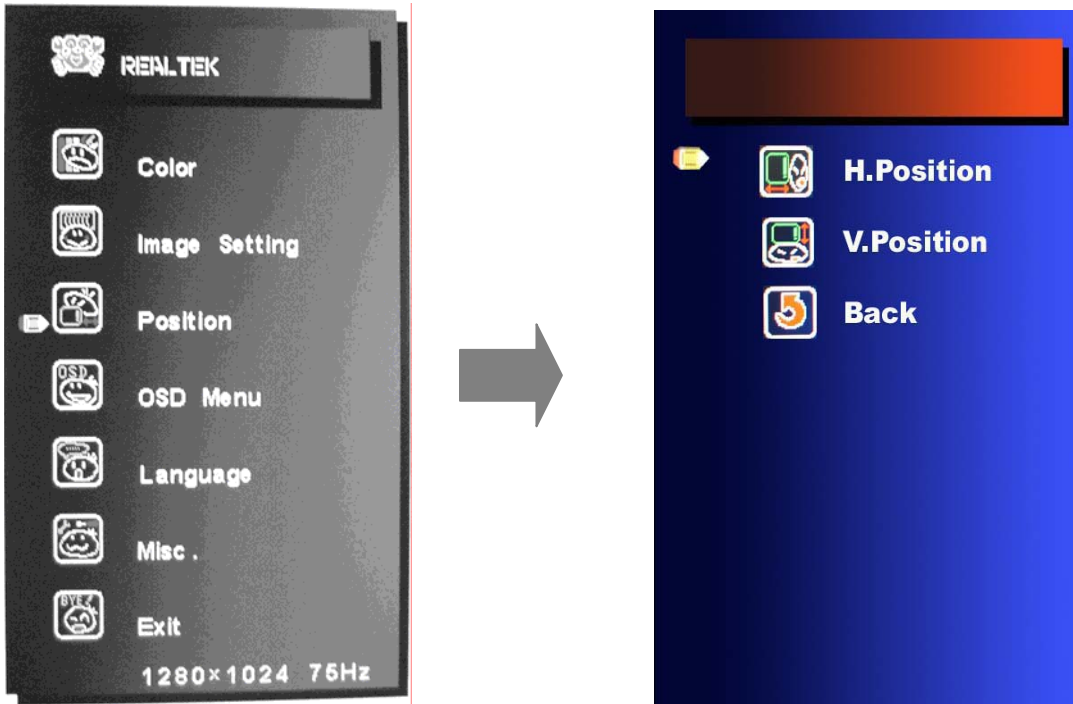
1. Select **9300** for a color temperature of 9300K (blue)
2. Select **6500** for a color temperature of 6500K (transparent)
3. Select **5500** for a color temperature of 5500K (red)
4. Select **sRGB** to maintain the color temperature in the standard RGB (RedGreenBlue)color.
5. Select **USER** to change the color temperature settings manually by using the **Color Adjust** option.

2. Image Setting Menu:



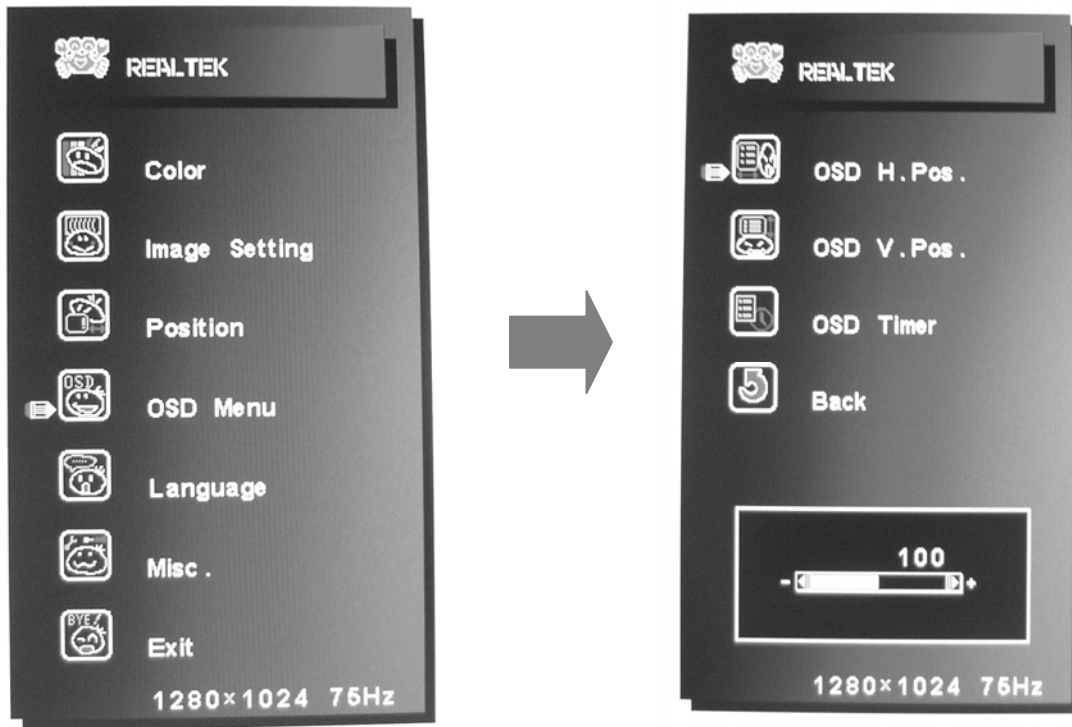
➤ Clock	Adjust the horizontal screen size
➤ Phase	Optimize the display quality
➤ Sharpness	Enhance the text quality while under the DOS operation
➤ Back	Return to the Main Menu

2. Position:



➤ H. Position	Adjust the horizontal position of the screen
➤ V. Position	Adjust the vertical position of the screen
➤ Back	Return to the Main Menu

3. OSD Menu:

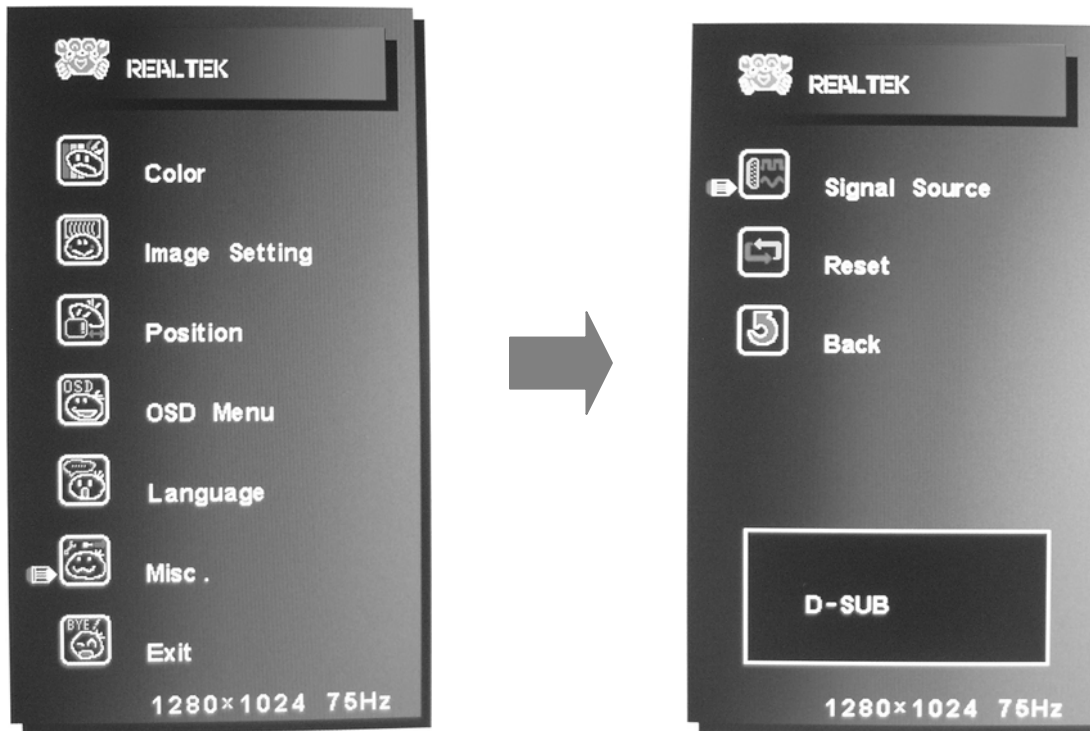


➤ OSD H. Position	Adjust the horizontal position of the OSD menu
➤ OSD V. Position	Adjust the vertical position of the OSD menu
➤ OSD Timing	Adjust the timing for the OSD menu to close automatically in idle state
➤ Back	Return to the main menu

4. Language:

- Select the preferred OSD Menu language

5. Misc.:



➤ Signal Source	If available you can select the preferred input source as listed. The optional input sources depend on your LCD display model.
➤ Reset	Automatically reset the screen setting to the default setting.

6. Exit:

- Exit the OSD Menu manually

Appendix - Technical Specifications (Datasheets)

LCD Monitor 10.4" Specification - L1041S

Panel	Cell Type	Color active matrix TFT (Thin-Film-Transistor) LCD panel	
	Aspect Ratio / Size	4 : 3 / 10.4" viewable diagonal area	
	Glass Surface	Black Anti-Glare, low reflection coating	
	Pixel numbers / Colors	800(H) x 600(V) / 262 K	
	Pixel Pitch	0.264(H) x 0.264(V) mm	
	Active Area	211.2(H) x 158.4(V) mm	
	Light Source	Long life, 50,000 hrs (typ)	
	Brighness / Contrast	350 cd/m ² (typ), 400 : 1	
	Viewing Angle	Horizontal 140° (typ) (- 70° ~ + 70°)	
		Vertical 120° (typ) (- 60° ~ + 60o)	
Response Time	≤ 35 ms		
Input Sources	PC System	Signal	Analog RGB (0.7/1.0 V _{p-p} , 75 ohms)
		Sync	Composite Sync, Separate Sync, Sync On Green
		Frequency	F _h : 30 - 82Khz , F _v : 50 -75Hz
		Resolution	800 x 600@60/70/75 Hz
			640 x 480@60 / 70 / 75 Hz
	Recommended	800 x 600@60 Hz	
Audio System	Stereo 2W x 2 (Built-In Speaker)		
Input Terminals	PC Signal	15 Pin Female D-Sub x 1	
	PC Audio	Stereo Headphone Jack x 1	
	Power Plug	12VDC Jack	
Control	Front Panel (5 Keys)	Men/Select , Auto , Up , Down , Power	
Convenient Features	Auto Calibration		
	Back Light Adjustment		
	OSD Menu	Multi-Languages	
	Wall Mount Ready	VESA 75 X 75(mm)	
Power	Input Voltage	Universal / Auto-Sensing, 90 to 260VAC, 50 / 60 Hz	
power Rating (Support DPMS)	- Operation	20 watt	
	- Stand-By	< 5 watt	
	- Off	< 5 watt	
Operating Condition	Temperature	0°C ~ 40°C (32°F ~ 104°F)	
	Humidity	10% ~ 90% (no condensation)	
Storage Condition	Temperature	- 20°C ~ 60°C (- 4°F ~ 140°F)	
	Humidity	10% ~ 90% (no condensation)	
Dimensions	Physical	With Base(W x H x D) : 265 x 280 x 190 (mm)	
		Without Base(W x H x D) : 265 x 225 X 42 (mm)	
	Carton	W x H x D = 325 x 330 x 135 mm	
Weight	N.W. / G.W.	3.0 Kgs / 4.0 Kgs	
Optional	DVI-D		
	Protect Glass	Screen Protected , Double coating	
Certification		FCC , CE	
Container Loaded	20ft / 40ft / 40ft HQ	1380 / 3312 / NA (Sets , By pallet)	

LCD Monitor 12.1" Specification - L1021S

Panel	Cell Type	Color active matrix TFT (Thin-Film-Transistor) LCD panel	
	Aspect Ratio / Size	4 : 3 / 12.1" viewable diagonal area	
	Glass Surface	Black Anti-Glare, low reflection coating	
	Pixel numbers / Colors	1024(H) x 768(V) / 262 K	
	Pixel Pitch	0.24(H) x 0.24(V) mm	
	Active Area	245.8(H) x 184.3(V) mm	
	Light Source	Long life, 50,000 hrs (typ)	
	Brighness / Contrast	200 cd/m ² (typ) , 400 : 1	
	Viewing Angle	Horizontal 140° (typ) (- 70° ~ + 70°)	
		Vertical 120° (typ) (- 60° ~ + 60°)	
Response Time	≤ 25 ms		
Input Sources	PC System	Signal	Analog RGB (0.7/1.0 V _{p-p} , 75 ohms)
		Sync	Composite Sync, Separate Sync, Sync On Green
		Frequency	F _h : 30 - 82Khz , F _v : 50 -75Hz
		Resolution	1024 x 768@60/70/75 Hz
			800 x 600@60/70/75 Hz
			640 x 480@60 / 70 / 75 Hz
	720 x 400@60 / 70 Hz		
Recommended	1024 x 768@60 Hz		
Audio System	Stereo 2W x 2 (Built-In Speaker)		
Input Terminals	PC Signal	15 Pin Female D-Sub x 1	
	PC Audio	Stereo Headphone Jack x 1	
	Power Plug	12VDC Jack	
Control	Front Panel (5 Keys)	Men/Select , Auto , Up , Down , Power	
Convenient Features	Auto Calibration		
	Back Light Adjustment		
	OSD Menu	Multi-Languages	
	Wall Mount Ready	VESA 75 X 75(mm)	
Power	Input Voltage	Universal / Auto-Sensing, 90 to 260VAC, 50 / 60 Hz	
power Rating (Support DPMS)	- Operation	20 watt	
	- Stand-By	< 5 watt	
	- Off	< 5 watt	
Operating Condition	Temperature	0°C ~ 40°C (32°F ~ 104°F)	
	Humidity	10% ~ 90% (no condensation)	
Storage Condition	Temperature	- 20°C ~ 60°C (- 4°F ~ 140°F)	
	Humidity	10% ~ 90% (no condensation)	
Dimensions	Physical	With Base(W x H x D) : 320 x 315 x 165 mm	
		Without Base(W x H x D) : 320 x 268 x 46 mm	
	Carton	W x H x D = 370 x 349 x 149 mm	
Weight	N.W. / G.W.	3.0 Kgs / 4.0 Kgs	
Optional	DVI-D		
	Protect Glass	Screen Protected , Double coating	
Certification		FCC , CE	
Container Loaded	20ft / 40ft / 40ft HQ	1200 / 2640 / NA (Sets , By pallet)	

LCD Monitor 15" Specification - L1562S

Panel	Cell Type	Color active matrix TFT (Thin-Film-Transistor) LCD panel	
	Aspect Ratio / Size	4 : 3 / 15" viewable diagonal area	
	Glass Surface	Black Anti-Glare, low reflection coating	
	Pixel numbers / Colors	1024(H) x 768(V) / 16.2 Million	
	Pixel Pitch	0.297(H) x 0.297(V) mm	
	Active Area	304.128(H) x 228.096(V) mm	
	Light Source	Long life, 50,000 hrs (typ)	
	Brighness / Contrast	300 cd/m ² (typ) , 500 : 1	
	Viewing Angle	Horizontal 150° (typ) (- 75° ~ + 75°) Vertical 140° (typ) (-65° ~ + 75°)	
Response Time	≤ 12 ms		
Input Sources	PC System	Signal	Analog RGB (0.7/1.0 V _{p-p} , 75 ohms)
		Sync	Composite Sync, Separate Sync, Sync On Green
		Frequency	F _h : 30 - 82KHz , F _v : 50 -75Hz
		Resolution	1024 x 768@60/70/75 Hz
			800 x 600@60/70/75 Hz
	640 x 480@60 / 70 / 75 Hz		
Recommended	1024 x 768@60 Hz		
Audio System	Stereo 2W x 2 (Built-In Speaker)		
Input Terminals	PC Signal	15 Pin Female D-Sub x 1	
	PC Audio	Stereo Headphone Jack x 1	
	Power Plug	12VDC Jack	
Control	Front Panel (5 Keys)	Men/Select , Auto , Up , Down , Power	
Convenient Features	Auto Calibration		
	Back Light Adjustment		
	OSD Menu	Multi-Languages	
	Wall Mount Ready	VESA 75 X 75(mm)	
Power	Input Voltage	Universal / Auto-Sensing, 90 to 260VAC, 50 / 60 Hz	
power Rating (Support DPMS)	- Operation	25 watt	
	- Stand-By	< 5 watt	
	- Off	< 5 watt	
Operating Condition	Temperature	0°C ~ 40°C (32°F ~ 104°F)	
	Humidity	10% ~ 90% (no condensation)	
Storage Condition	Temperature	- 20°C ~ 60°C (- 4°F ~ 140°F)	
	Humidity	10% ~ 90% (no condensation)	
Dimensions	Physical	With Base(W x H x D) : 378 x 365 x 165 mm	
		Without Base(W x H x D) : 378 x 336 x 55 mm	
	Carton	W x H x D = 420 x 380 x 150 mm	
Weight	N.W. / G.W.	3.5 Kgs / 4.5 Kgs	
Optional	DVI-D		
	Protect Glass	Screen Protected , Double coating	
Certification		FCC , CE	
Container Loaded	20ft / 40ft / 40ft HQ	1032 / 2064 / 2304 (Sets , By pallet)	

LCD Monitor 17" Specification - L1788S

Panel	Cell Type	Color active matrix TFT (Thin-Film-Transistor) LCD panel	
	Aspect Ratio / Size	4 : 3 / 17" viewable diagonal area	
	Glass Surface	Black Anti-Glare, low reflection coating	
	Pixel numbers / Colors	1280(H) x 1024(V) / 16.2 Million	
	Pixel Pitch	0.264(H) x 0.264(V) mm	
	Active Area	337.92(H) x 270.34(V) mm	
	Light Source	Long life, 50,000 hrs (typ)	
	Brighness / Contrast	300 cd/m ² (typ) , 800 : 1	
	Viewing Angle	Horizontal 160° (typ) (- 80° ~ + 80°) Vertical 160° (typ) (-80° ~ + 80°)	
Response Time	≤ 8 ms		
Input Sources	PC System	Signal	Analog RGB (0.7/1.0 V _{p-p} , 75 ohms)
		Sync	Composite Sync, Separate Sync, Sync On Green
		Frequency	F _h : 30 - 82Khz , F _v : 50 -75Hz
		Resolution	1280 x 1024@60/70/75 Hz
			1024 x 768@60/70/75 Hz
			800 x 600@60/70/75 Hz
	640 x 480@60 / 70 / 75 Hz		
Recommended	1280 x 1024@60 Hz		
Audio System	Stereo 2W x 2 (Built-In Speaker)		
Input Terminals	PC Signal	15 Pin Female D-Sub x 1	
	PC Audio	Stereo Headphone Jack x 1	
	Power Plug	12VDC Jack	
Control	Front Panel (5 Keys)	Men/Select , Auto , Up , Down , Power	
Convenient Features	Auto Calibration		
	Back Light Adjustment		
	OSD Menu	Multi-Languages	
	Wall Mount Ready	VESA 75 X 75(mm)	
Power	Input Voltage	Universal / Auto-Sensing, 90 to 260VAC, 50 / 60 Hz	
power Rating (Support DPMS)	- Operation	30 watt	
	- Stand-By	< 5 watt	
	- Off	< 5 watt	
Operating Condition	Temperature	0°C - 40°C (32°F - 104°F)	
	Humidity	10% - 90% (no condensation)	
Storage Condition	Temperature	- 20°C ~ 60°C (- 4°F ~ 140°F)	
	Humidity	10% - 90% (no condensation)	
Dimensions	Physical	With Base(W x H x D) : 355 x 295 x 220 mm	
		Without Base(W x H x D) : 355 x 285 x 30 mm	
	Carton	W x H x D = 416 x 425 x 140 mm	
Weight	N.W. / G.W.	4.5 Kgs / 5.5 Kgs	
Optional	DVI-D		
	Protect Glass	Screen Protected , Double coating	
Certification		FCC , CE	
Container Loaded	20ft / 40ft / 40ft HQ	1040 / 2160 / NA (Sets , By pallet)	

LCD Monitor 19" Specification - L1988S

Panel	Cell Type	Color active matrix TFT (Thin-Film-Transistor) LCD panel	
	Aspect Ratio / Size	4 : 3 / 19" viewable diagonal area	
	Glass Surface	Black Anti-Glare, low reflection coating	
	Pixel numbers / Colors	1280(H) x 1024(V) / 16.7 Million	
	Pixel Pitch	0.294(H) x 0.294(V) mm	
	Active Area	376.3(H) x 301.1(V) mm	
	Light Source	Long life, 50,000 hrs (typ)	
	Brignthess / Contrast	300 cd/m ² (typ) , 1000 : 1	
	Viewing Angle	Horizontal 170° (typ) (- 85° ~ + 85°) Vertical 160° (typ) (-80° ~ + 80°)	
Response Time	≤ 8 ms		
Input Sources	PC System	Signal	Analog RGB (0.7/1.0 V _{p-p} , 75 ohms)
		Sync	Composite Sync, Separate Sync, Sync On Green
		Frequency	F _h : 30 - 82Khz , F _v : 50 - 75Hz
		Resolution	1280 x 1024@60/70/75 Hz
			1024 x 768@60/70/75 Hz
	800 x 600@60/70/75 Hz		
640 x 480@60 / 70 / 75 Hz			
Recommended	1280 x 1024@60 Hz		
Audio System	Stereo 2W x 2 (Built-In Speaker)		
Input Terminals	PC Signal	15 Pin Female D-Sub x 1	
	PC Audio	Stereo Headphone Jack x 1	
	Power Plug	12VDC Jack	
Control	Front Panel (5 Keys)	Men/Select , Auto , Up , Down , Power	
Convenient Features	Auto Calibration		
	Back Light Adjustment		
	OSD Menu	Multi-Languages	
	Wall Mount Ready	VESA 75 X 75(mm)	
Power	Input Voltage	Universal / Auto-Sensing, 90 to 260VAC, 50 / 60 Hz	
power Rating (Support DPMS)	- Operation	32 watt	
	- Stand-By	< 5 watt	
	- Off	< 5 watt	
Operating Condition	Temperature	0°C - 40°C (32°F - 104°F)	
	Humidity	10% - 90% (no condensation)	
Storage Condition	Temperature	- 20°C - 60°C (- 4°F - 140°F)	
	Humidity	10% - 90% (no condensation)	
Dimensions	Physical	With Base(W x H x D) : 415 x 420 x 220 mm	
		Without Base(W x H x D) : 415 x 340 x 30 mm	
	Carton	W x H x D = 470 x 445 x 142 mm	
Weight	N.W. / G.W.	6.0 Kgs / 7.0 Kgs	
Optional	DVI-D		
	Protect Glass	Screen Protected , Double coating	
Certification		FCC , CE	
Container Loaded	20ft / 40ft / 40ft HQ	816 / 1632 / NA (Sets , By pallet)	

LCD Monitor 20.1" Specification - L2052S

Panel	Cell Type	Color active matrix TFT (Thin-Film-Transistor) LCD panel	
	Aspect Ratio / Size	4 : 3 / 20.1" viewable diagonal area	
	Glass Surface	Black Anti-Glare, low reflection coating	
	Pixel numbers / Colors	1600(H) x 1200(V) / 16.7 Million	
	Pixel Pitch	0.255(H) x 0.255(V) mm	
	Active Area	408.0(H) x 306.0(V) mm	
	Light Source	Long life, 50,000 hrs (typ)	
	Brignthess / Contrast	300 cd/m ² (typ) , 1000 : 1	
	Viewing Angle	Horizontal 170° (typ) (- 85° ~ + 85°) Vertical 170° (typ) (-85° ~ + 85°)	
	Response Time	≤ 8 ms	
Input Sources	PC System	Signal	Analog RGB (0.7/1.0 V _{p-p} , 75 ohms) Digital (DVI-D)
		Sync	Composite Sync, Separate Sync, Sync On Green
		Frequency	F _H : 30 - 82Khz , F _V : 50 -75Hz
		Resolution	1600 x 1200@60/70/75 Hz
			1280 x 1024@60/70/75 Hz
			1024 x 768@60/70/75 Hz
			800 x 600@60/70/75 Hz
640 x 480@60 / 70 / 75 Hz			
720 x 400@60 / 70 Hz			
Recommended	1600 x 1200@60 Hz		
Audio System	Stereo 2W x 2 (Built-In Speaker)		
Input Terminals	PC Signal	15 Pin Female D-Sub x 1	
	PC Audio	Stereo Headphone Jack x 1	
	Power Plug	12VDC Jack	
Control	Front Panel (5 Keys)	Men/Select , Auto , Up , Down , Power	
Convenient Features	Auto Calibration		
	Back Light Adjustment		
	OSD Menu	Multi-Languages	
	Wall Mount Ready	VESA 75 X 75(mm)	
Power	Input Voltage	Universal / Auto-Sensing, 90 to 260VAC, 50 / 60 Hz	
power Rating (Support DPMS)	- Operation	40 watt	
	- Stand-By	< 5 watt	
	- Off	< 5 watt	
Operating Condition	Temperature	0°C ~ 40°C (32°F ~ 104°F)	
	Humidity	10% ~ 90% (no condensation)	
Storage Condition	Temperature	- 20°C ~ 60°C (- 4°F ~ 140°F)	
	Humidity	10% ~ 90% (no condensation)	
Dimensions	Physical	With Base(W x H x D) : 460 x 420 x 133 mm	
		Without Base(W x H x D) : 460 x 380 x 45 mm	
	Carton	W x H x D = 560 x 472 x 185 mm	
Weight	N.W. / G.W.	10.0 Kgs / 11.0 Kgs	
Optional	DVI-D		
	Protect Glass	Screen Protected , Double coating	
Certification		FCC , CE	
Container Loaded	20ft / 40ft / 40ft HQ	504 / 1008 / NA (Sets , By pallet)	